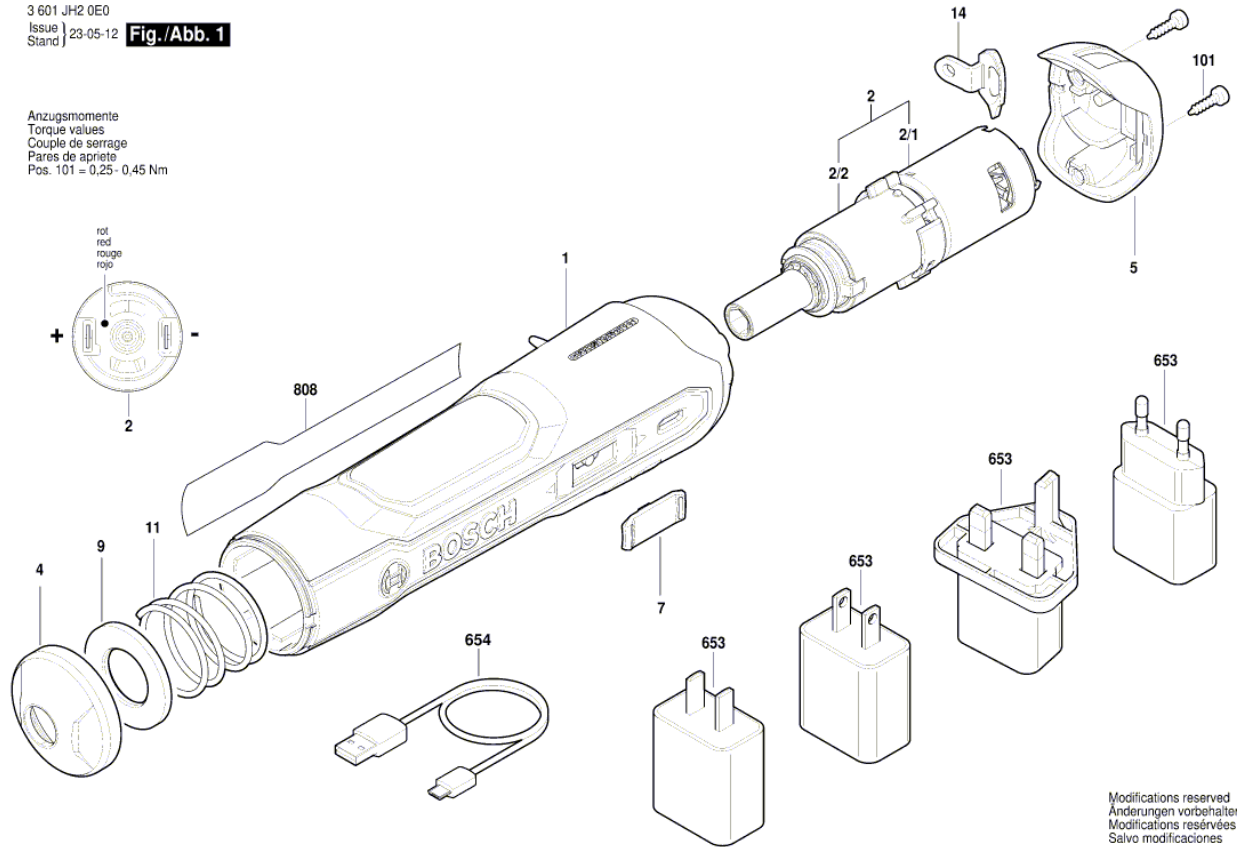


Illustration - Type - E

3 601 JH2 0E0
Issue | 23-05-12
Stand | **Fig./Abb. 1**

Anzugsmomente
Torque values
Couple de serrage
Pares de apriete
Pos: 101 = 0,25 - 0,45 Nm



Modifications reserved
Änderungen vorbehalten
Modifications réservées
Salvo modificaciones

Spare parts list

Item	Part Number	Description	Illustration
1	1 605 806 5KW	Housing	1
2	1 607 000 CG7	Drive module	1
2/1	1 607 022 66W	DC motor	1
2/2	1 600 A01 1H9	Gear Box	1
4	1 600 A01 1H8	Front Cap	1
5	1 600 A01 1H7	Cell Cover	1
7	1 600 A01 1HD	Change-Over Switch	1
9	1 600 A01 1HB	Washer	1
11	1 604 612 028	Compression Spring	1
14	1 605 500 2DV	Cover	1
101	2 609 111 496	Screw	1
653	1 600 A01 3A3	Charger Taiwan 3,6V	1
653	1 607 000 CH1	Charger Asien 230/5V	1
653	2 609 120 713	Charger EU 100-240V 5V 1A	1
653	2 609 120 718	Charger GB 100-240V 5V 1A	1
654	1 607 000 DN8	USB cable USB Type A / Micro USB	1
808	1 601 11A 5CT	Nameplate	1